



1 General notes and installation

1.1 General notes

Note

Please read these instructions carefully and note the **WARNING** and **Note** descriptions before the "backrest protector" is installed.

WARNING

Do not use any electrical components, wiring or the backrest cover panel to connect the retaining hooks – risk of damage!

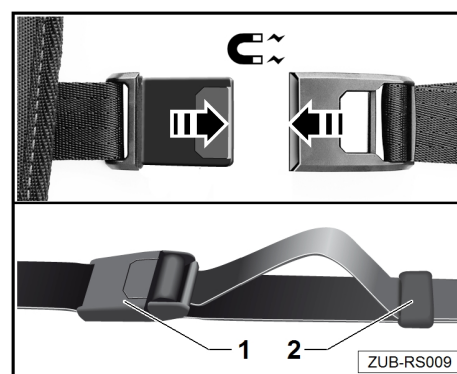
The backrest protector can be filled with objects weighing up to a maximum of 0.75 kg.

Audi AG shall not accept responsibility in the event of failure to comply with these installation instructions.

1.2 Installing the backrest protector on the vehicle seat

Note

- ◆ *Slacken/loosen all of the fastening straps on the backrest protector as far as possible.*
- ◆ *If the seat has an adjustable head restraint, set it to the highest position during installation. Return the head restraint back to the individually required position after installation.*
- ◆ *The backrest protector can also be used on Super Sport seats!*
- Open -1- the catch on the upper retaining strap.
- Secure the strap around the head restraint and reconnect the catch -1-, ensuring that it clicks into place.
- Use the loop -2- to fasten the remaining strap.
- Allow the backrest protector -3- hang down.





- Secure the retaining straps with hooks -5- to the bottom part of the vehicle seat -4-.
- We recommend using a torch to making positioning easier.

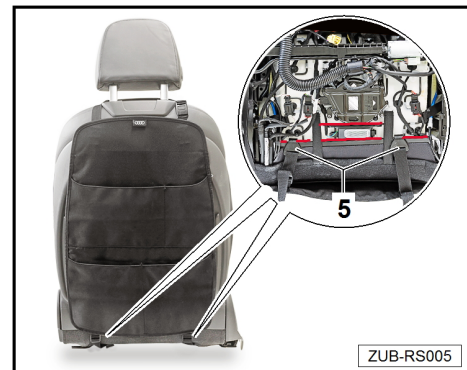


- To secure the retaining straps with hooks -5- use only the reinforcements on the seat cover or the tensioning wires on the seat padding -red lines-.



WARNING

Do not use any electrical components, wiring or the backrest cover panel to connect the hooks -5- or to secure the backrest protector – risk of damage!



Positioning the backrest protector

- Tighten the retaining straps with hooks -5- by pulling them both downwards as evenly as possible and pull the backrest protector -3- upwards.
- The retaining straps with hooks -5- must be tightened evenly.



- Tighten the retaining strap -2- upwards.
- Repeat the process until the backrest protector -3- is in the required position.

